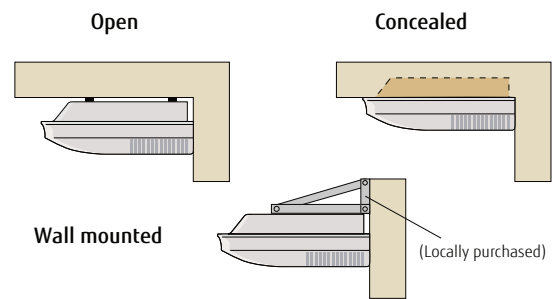




## Features

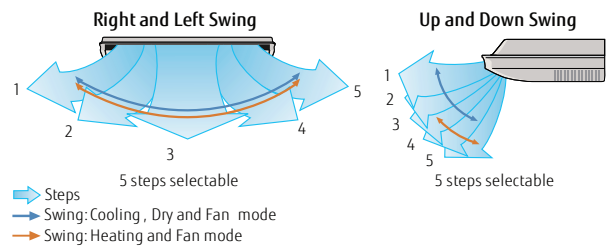
### Flexible installation

Various installations are possible to match the room layout.

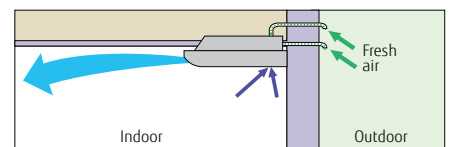


### Multi auto swing

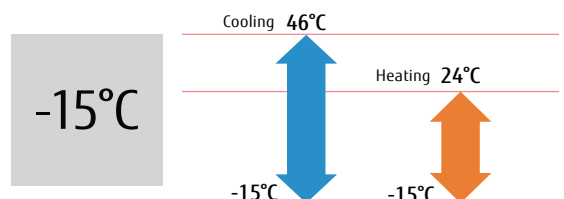
A combination of right/left and up/down directional swing allows 3-dimensional air direction control.



### Fresh air intake



### Low ambient operation



**Model : ABYG30L RTE / ABYG36L RTE / ABYG45L RTA /  
ABYG36L RTA [3phase] / ABYG45L RTA [3phase] / ABYG54L RTA [3phase]**



Wireless R.C.



For ABYG30/36L RTE



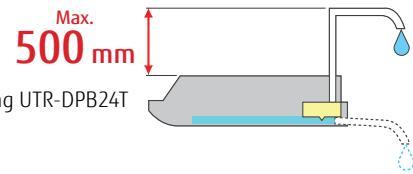
For ABYG36/45/54L RTA

**Specifications**

	Indoor	3-Phase Units		
		ABYG30L RTE	ABYG36L RTE	ABYG45L RTA
	Outdoor	AOYG30LETL	AOYG36LETL	AOYG45LETL
Nominal Capacity (kW)	Cooling	8.50 (2.80-10.00)	9.40 (2.80-11.20)	12.10 (4.00-13.30)
	Heating	10.00 (2.70-11.20)	11.20 (2.70-12.70)	13.30 (4.20-15.50)
UK Total / Sensible Cooling *		8.53 / 6.20	8.90 / 6.47	11.24 / 8.43
Power Consumption (kW)	Cooling	2.65	2.93	3.77
	Heating	2.77	3.02	3.68
EER / COP (Nominal Conditions)		3.21 / 3.61	3.21 / 3.71	3.21 / 3.61
Pdesign (kW) @ -10°C	Cooling	8.50	9.40	-
	Heating	8.00	8.70	-
SEER	Cooling	6.10	6.00	-
SCOP	Heating (Average)	4.20	4.10	-
Energy Efficiency Class	Cooling	A++	A+	-
	Heating (Average)	A+	A+	-
Annual Energy Consumption (kWh/a)	Cooling	487	548	-
	Heating	2662	2965	-
Moisture Removal	l/h	2.50	3.00	4.00
Dimensions (HxWxD) mm	Inner	240x1660x700	240x1660x700	240x1660x700
	Outer	830x900x330	830x900x330	1290x900x330
Net Weight (kg)	Inner	46	46	46
	Outer	61	61	86
Room Air Circulation (high) m3/h	Inner	1660	1900	2100
	Outer	3600	3800	6200
Power Supply	V-PH-Hz	230 / 1 / 50	230 / 1 / 50	230 / 1 / 50
Power Supply To		Outdoor	Outdoor	Outdoor
Running Current (A)	Cooling	11.60	12.80	16.50
	Heating	12.20	13.20	16.10
Starting Current	A	12.20	13.70	22.50
Suggested MCB/Fuse	A	20	25	25
Interconnecting Cable		3 + E	3 + E	3 + E
Remote Control Type		Wireless	Wireless	Wireless
Sound Pressure (dB(A) Cooling)	Indoor Q/L/M/H	32 / 37 / 43 / 45	32 / 37 / 43 / 47	34 / 39 / 45 / 49
	Outdoor H	53	54	55
Sound Power (dB(A) Cooling)	Indoor H	57	60	-
	Outdoor H	68	69	-
Max Pipe Length	m	50	50	50
Max Height Difference	m	30	30	30
Refrigerant Charge	m	20	20	20
Additional Refrigerant Charge	g/m	40	40	40
Pipe Size (inches)	Gas	3/8	3/8	3/8
	Liquid	5/8	5/8	5/8
Operating Range (OC)	Cooling	-15 - 46	-15 - 46	-15 - 46
	Heating	-15 - 24	-15 - 24	-15 - 24
Refrigerant		R410A	R410A	R410A
System List Price	£	2272	2761	3070

**Optional parts**

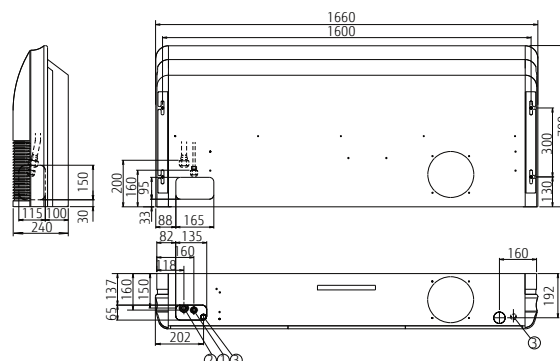
Wired Remote Controller:	UTYRVNYM	£100
Simple Remote Controller:	UTYRSNYM	£80
Drain Pump Unit	UTRDPB24T	£45
Flange	UTDRF204	£30
External Connect Kit	UTYXWZX	£9
Modbus Interface	FJRCMBS1	£225
KNX Interface	FJRCKNX1i	£255
WiFi Interface	FJRWFIF1	£225



\* UK Cooling: indoor temperature 23°CDB / 16°CWB and outdoor temperature 30°C

**Dimensions**

(Unit : mm)



- ① Refrigerant piping flare connection (Liquid)
- ② Refrigerant piping flare connection (Gas)
- ③ Drain piping connection