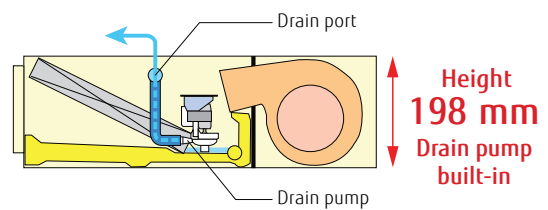




Features

Slim design

The slim design allows installations where ceilings are narrow. Drain hose as standard accessory



Flexible installation

2-type installation methods of ceiling concealed and floor concealed can be selected.

Ceiling concealed



Floor concealed



Selectable with a wide range of static pressure

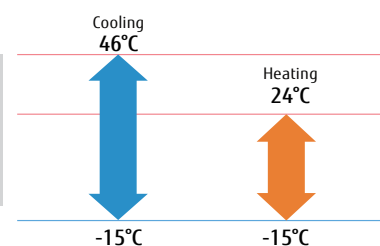
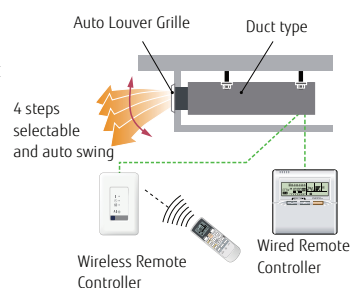
By using the DC fan motor, it is possible to change the static pressure range from 0 to 90 Pa. The change of static pressure range is possible by remote controller.



Static pressure range
0 to 90 Pa

Auto Louver Grille Kit (Option)

Simple flat Auto Louver will provide comfort airflow and harmonize with luxury interior.



Model : ARYG12LLTB / ARYG14LLTB / ARYG18LLTB



Wired R.C.



ARYG12/14LLTB



ARYG18LLTB

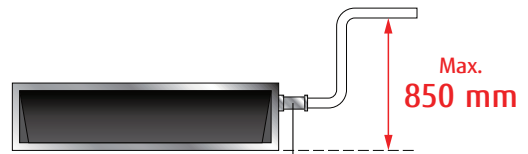


Specifications

	Indoor	ARYG12LLTB	ARYG14LLTB	ARYG18LLTB
	Outdoor	AOYG12LALL	AOYG14LALL	AOYG18LALL
Nominal Capacity (kW)	Cooling	3.50 (0.90-4.40)	4.30 (0.90-5.40)	5.20 (0.90-5.90)
	Heating	4.10 (0.90-5.70)	5.00 (0.90-6.50)	6.00 (0.90-7.50)
UK Total / Sensible Cooling *		3.48 / 2.47	3.97 / 2.90	4.80 / 3.45
Power Consumption (kW)	Cooling	1.05	1.33	1.62
	Heating	1.11	1.34	1.66
EER / COP (Nominal Conditions)		3.33 / 3.69	3.21 / 3.71	3.21 / 3.61
Pdesign (kW) @ -10°C	Cooling	3.50	4.30	5.20
	Heating	4.20	4.50	5.20
SEER	Cooling	5.90	5.80	6.20
SCOP	Heating (Average)	4.00	3.90	4.10
Energy Efficiency Class	Cooling	A+	A+	A++
	Heating (Average)	A+	A	A+
Annual Energy Consumption (kWh/a)	Cooling	207	259	293
	Heating	1467	1614	1774
Moisture Removal	l/h	1.30	1.50	2.00
Dimensions (HxWxD) mm	Inner	198x700x620	198x700x620	198x900x620
	Outer	578x790x300	578x790x300	578x790x300
Net Weight (kg)	Inner	19	19	23
	Outer	40	40	40
Room Air Circulation (high) m3/h	Inner	650	800	940
	Outer	1780	1910	2000
Static Pressure Range (Standard)	Pa	0 to 90 (25)	0 to 90 (25)	0 to 90 (25)
Power Supply	V-PH-Hz	230 / 1 / 50	230 / 1 / 50	230 / 1 / 50
Power Supply To		Outdoor	Outdoor	Outdoor
Running Current (A)	Cooling	4.80	6.10	7.20
	Heating	5.10	6.10	7.40
Starting Current	A	5.10	6.10	7.40
Suggested MCB/Fuse	A	16	16	16
Interconnecting Cable		3 + E	3 + E	3 + E
Remote Control Type		Wired	Wired	Wired
Sound Pressure (dB(A) Cooling)	Indoor Q/L/M/H	25 / 26 / 28 / 29	26 / 28 / 30 / 32	27 / 29 / 30 / 32
	Outdoor H	47	49	50
Sound Power (dB(A) Cooling)	Indoor H	58	60	58
	Outdoor H	61	62	62
Max Pipe Length	m	25	25	25
Max Height Difference	m	15	15	15
Refrigerant Charge	m	15	15	15
Additional Refrigerant Charge	g/m	20	20	20
Pipe Size (inches)	Gas	3/8	1/2	1/2
	Liquid	1/4	1/4	1/4
Operating Range (OC)	Cooling	-10 ~ 46	-10 ~ 46	-10 ~ 46
	Heating	-15 ~ 24	-15 ~ 24	-15 ~ 24
Refrigerant		R410A	R410A	R410A
System List Price	£	1179	1310	1498

Optional parts

Wired Remote Controller:	UTYRVNYM	£100
Simple Remote Controller:	UTYRSNYM	£80
IR Reciever Sensor Kit:	UTYLRYHM	£252
Remote Sensor Unit:	UTYXSZX	£54
Auto Louver Grille Kit:	UTDGXSAW (for ARYG12 / 14LLTB)	£130
	UTDGXSBW (for ARYG18LLTB)	£145
External Connect Kit	UTDECS5A	£13
Modbus Interface	FJRCMBS1	£225
KNX Interface	FJRCKNX1i	£255
WiFi Interface	FJRCWIF1	£225

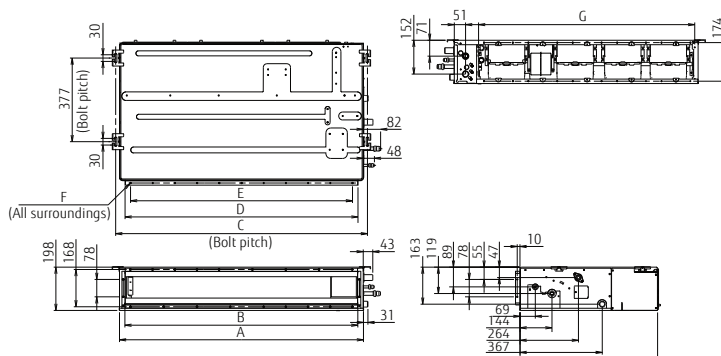


Drain hose is standard accessory

* UK Cooling: indoor temperature 23°CDB / 16°CWB and outdoor temperature 30°C

Dimensions

(Unit : mm)



	ARYG12 / 14LLTB	ARYG18LLTB
A	700	900
B	650	850
C	734	934
D	650	850
E	P100x6=600	P100x8=800
F	18xØ5	22xØ5
G	574	774